



# MODEL 4050B-ES SERIES

## Electric swing-blow print-apply labeling system

The **Weber Model 4050B-ES** is a modular, high-resolution, print-apply labeling system featuring an electric rotary swing arm for high-speed operation. Its modular design ensures maximum uptime through fast in-field repairs and flexible left or right-hand configurations. Using a precise non-contact vacuum hold-and-blow method, it provides efficient, lightweight labeling for any production line.

### STANDARD FEATURES

- + Electric rotary swing arm: higher speeds and accuracy
- + Motorized label unwinder for reduced wear on print engine and smooth feeding of the supply roll
- + Zebra and Sato print engine compatible; 203, 300 and 600 dpi available
- + Various swing arm lengths and pad sizes available
- + Available with RFID capability
- + Label on-pad detection
- + Heavy-duty 24/7 usage

### 7" TOUCH DISPLAY INTERFACE

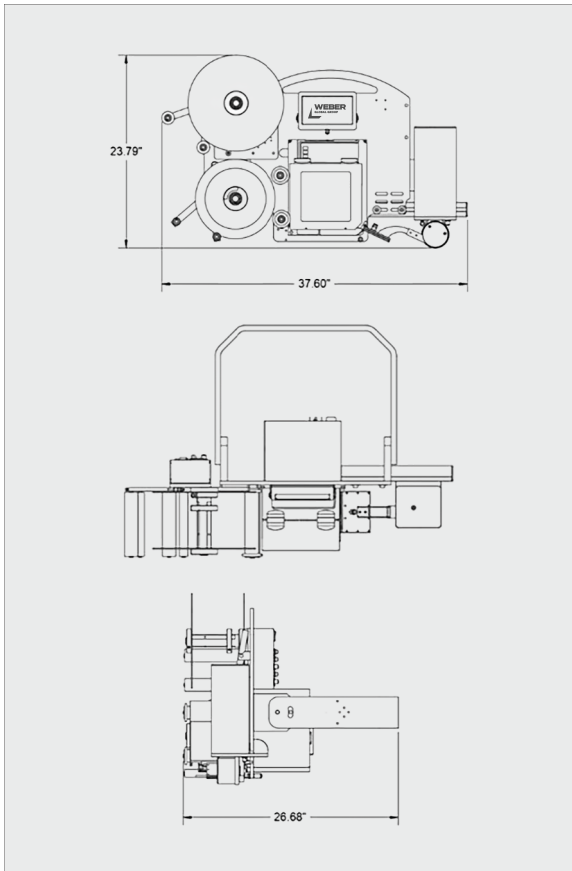
- + Made of rugged aluminum construction, with single-key calibration, and easy access to various settings and alerts

### VERSATILE LABELING

- + The 4050B-ES can be oriented to apply labels to the front or rear of packages
- + The stepper driven swing can be adjusted for different product labeling needs
- + Numerous I/O's to allow interfacing with many types of external devices



Scan here for more info



## TECHNICAL DATA

- + **Dimensions (ES250 Model)**  
- 37.6" x 23.8" x 26.7"

---

- + **Weight (ES250 Model)**  
- Starting at 121 lbs (54kg), version dependent (without labels)

---

- + **Electrical**  
- 90/263 VAC/50-60Hz (1PH), 580W

---

- + **Pneumatic**  
- 6 Bar, up to 100 L/min

---

- + **Product Sensing**  
- Photoelectric

---

- + **Label Roll Size**  
- Up to 12" O.D. (300mm) 3" (76mm) core (outside wound)

---

- + **Stroke Reach**  
- ES250 = 6.25"      ES400 = 11.0"

---

- + **Label Range and Standard Tamp Pad Sizes**  
- Min width: 2.0"      Max width: 6.0"  
- Min length: 1.75"      Max length: 6.0" (max 24 sq in)

---

- + **Label Styling**  
- Die-cut, waste-removed with a minimum of 0.125" (3mm) separation between labels in running direction

---

- + **Label Placement**  
- Accurate to  $\pm 0.04"$  (1.0mm) when labels are produced to specifications and product handling is controlled

---

- + **Labeling Speed**  
- Up to 60 labels per min (label size & stroke length dependent)

---

- + **Labeling Software Required**  
- Print information needs to be sent to the print engine before label can be dispensed and applied

---

- + **Options**  
- Adjustable stand  
- Three-color stack light  
- Sato & Zebra print engines (203, 300 & 600dpi)  
- RFID print engine upgrade  
- I/O easy wiring terminal connection box

### WEBER Packaging Solutions, Inc.

711 West Algonquin Road  
Arlington Heights / IL / 60005  
1.800.843.4242 / info@weberpackaging.com



### WEBER Marking Systems Canada

6180 Danville Road  
Mississauga / ON / L5T 2H7  
1.800.265.9974 / info@webermarking.ca

